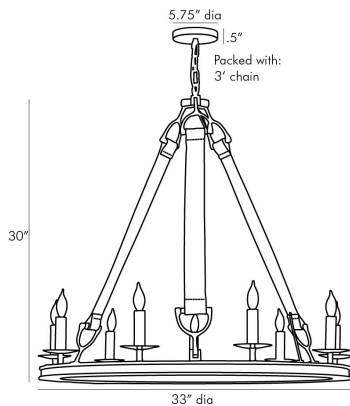


ARTERIOS

CHANEY CHANDELIER



84031
 H: 31 IN, Dia: 33.00 IN
 Bronze
 Contract Suitable As Is

The Chaney saddles up to rustic sophistication with its unique and unparalleled style. Three brown leather bands suspend a hand-hammered iron base adorned with nine candlestick-style arms in a contrasting antique brass finish. Each leather band is accented with an antique brass detail reminiscent of bridle bits delivering an equestrian quality to its industrial form. Shown with clear bent-tip candelabra bulbs. Damp-rat-

APPEARANCE

Material Iron, Leather
 Finish Antique Brass, Bronze, Brown
 Top Coat/Sealant false

DIMENSIONS

Chandelier H: 30 IN, Dia: 33.00 IN
 Minimum Hanging Height 31 IN
 Maximum Hanging Height 67 IN
 Canopy H: .5 IN, Dia: 5.75 IN

WIRING

Rating Damp
 Cert Note Cannot be rewired for INTL use.
 Cord 10 FT, Clear/Silver, SVT
 Socket 9, Type B=-E12 Other
 Photographed Bulb Clear Bent Tip Candelabra Bulb
 Maximum Watt 40
 Voltage 110-120 V

CERTIFICATIONS

Cerifications Mexico
 United States, Canada

COMPLIANCY

UL/ETL Yes
 RoHS true

SHIPPING

Product Weight 37.5 LBS
 Gross Weight 1 60.8 LBS
 Shipping Box 1 H: 11 IN, L: 39 IN, W: 39 IN

REPLACEMENT PARTS

Replacement Part 1 CHN-212
 Replacement Part 1 Dim 3'
 Replacement Part 2 CANOPY-411
 Replacement Part 2 Dim 1" x 5.5"

CONTRACT

Contract Suitable true